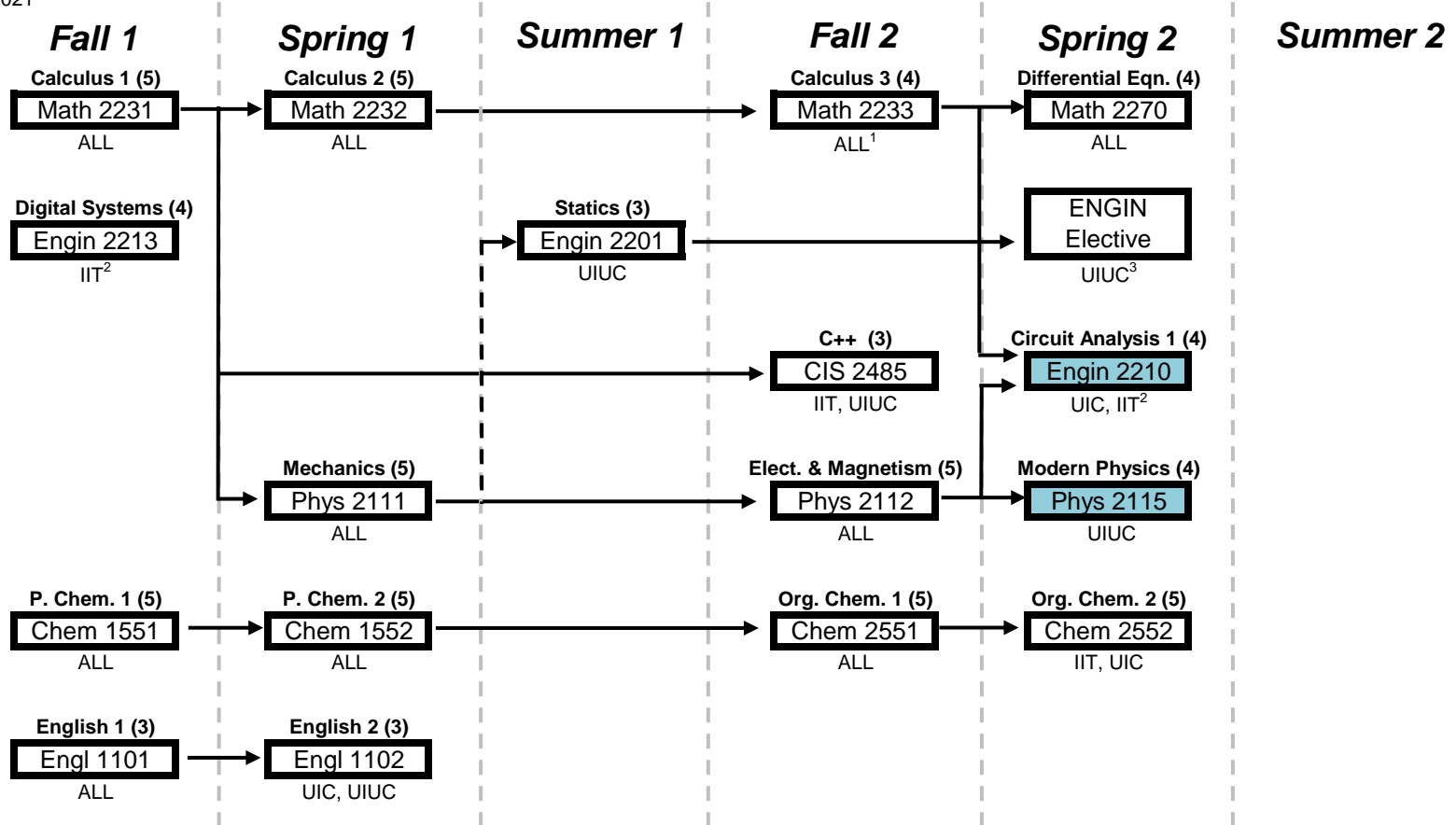


# College of Dupage Chemical Engineering

Updated Fall 2021



Chemical Engineering is offered at IIT, UIC, and UIUC in Illinois.

Take the courses that are part of the Bachelor of Science Degree for the University you are interested in attending.

Courses in the same column should be taken together and will be scheduled to minimize conflicts.

Take additional Social Science and Humanity courses if necessary to make a full load each semester.

1 - Math 2235 is taken at the end of Math 2233 to count as Calculus 3 at UIUC

2 - Only choose one, either ENGIN 2213 or ENGIN 2210 for IIT

3 - Only choose one, either ENGIN 2202 or ENGIN 2203 for UIUC

## KEY to GUIDE

Course Name  
COD #  
 Universities needing course



prerequisite (must be taken previously)



corequisite (can be taken after or together)

Offered fall and spring

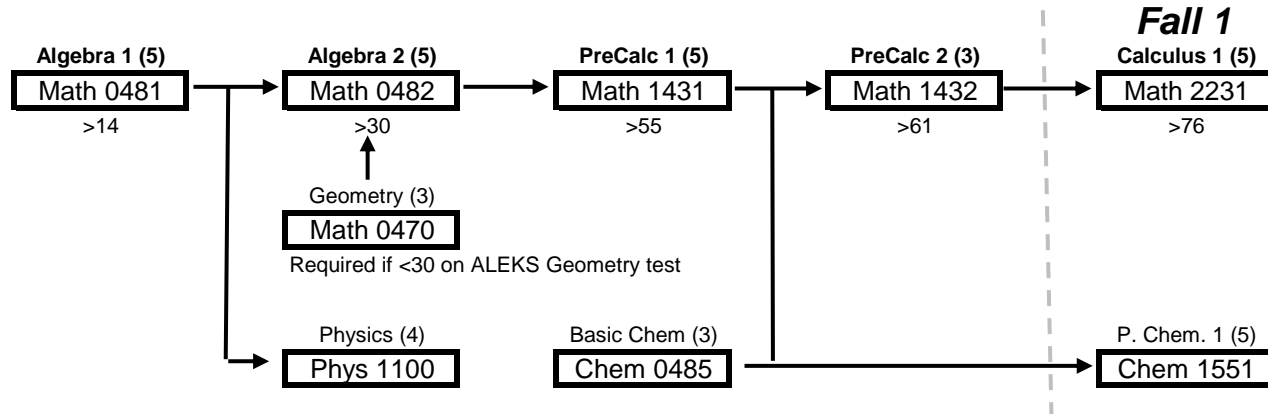
Offered spring only

For more information, contact an Engineering Professor.

CODengineering@cod.edu

## Preparatory Sequences

Math placement scores (ALEKS) needed for enrollment included below course. Physics 1100 is recommend for those without high school physics. Chemistry 0485 is required for those without high school chemistry.



## Associate in Engineering Science Graduation Checklist

### 45 required credits

	Course Number	Credits	
English	1101	3	
	1102	3	
Math	2231	5	
	2232	5	
	2233	4	
	2270	4	
Chemistry	1551	5	
Physics	2111	5	
	2112	5	
CIS	2485	3	
SS / HUM	1 required	3	
		45	

### Additional 23 credits from

	Course Number	Credits	
Engineering	2201	3	
	2202	3	
	2203	3	
	2210	4	
	2213	4	
Chem	1552	5	
	2551	5	
	2552	5	
Physics	2115	4	
SS / HUM	Up to 5 more	3	
		3	
		3	
		3	
		3	
		≥23	

## Social Science and Humanity guide

The general education requirements for the Bachelor of Science degree vary throughout the state of Illinois.

Check the Social Science and Humanity guide for details on a specific university requirements.

[http://www.cod.edu/programs/engineering/pdf/humanities\\_and\\_social\\_sciences\\_transfer\\_guide.pdf](http://www.cod.edu/programs/engineering/pdf/humanities_and_social_sciences_transfer_guide.pdf)

Only up to 6 Humanity and Social Science courses total can count toward the AES degree.

## Transfer Equivalency for Chemical Engineering

This course only shows course equivalencies that are applicable to the Bachelor of Science in Chemical Engineering curriculum.

COD course		IIT	UIC	UIUC
MATH	2231	MATH 151	MATH 180	MATH 220
	2232	MATH 152	MATH 181	MATH 231
	2233	MATH 251	MATH 210	MATH 241 <sup>#</sup>
	2235	-	-	
	2270	MATH 252	MATH 220	MATH 284
PHYSI	2111	PHYS 123	PHYS 141	PHYS 211
	2112	PHYS 221	PHYS 142	PHYS 212
	2115	-	-	PHYS 213/214
CIS	2485	CS 104	-	CS 101
	2541	-	-	-
ENGIN	1101	-	-	-
	2201	-	-	TAM 211
	2202	-	-	TAM 212 <sup>\$</sup>
	2203	-	-	TAM 251 <sup>\$</sup>
	2210	ECE 211 <sup>%</sup>	ECE 210	-
	2213	ECE 218 <sup>%</sup>	-	-
CHEMI	1551	CHEM 124	CHEM 122/123	CHEM 102/103
	1552	CHEM 125	CHEM 124/125	CHEM 104/105
	2551	CHEM 237	CHEM 232/233	CHEM 236/237
	2552	CHEM 239	CHEM 234	-

# - Both MATH 2233 and 2235 are required for MATH 241 credit at UIUC.

\$ - Only choose one, either ENGIN 2202 or ENGIN 2203 for UIUC.

% - Only choose one, either ENGIN 2213 or ENGIN 2210 for IIT