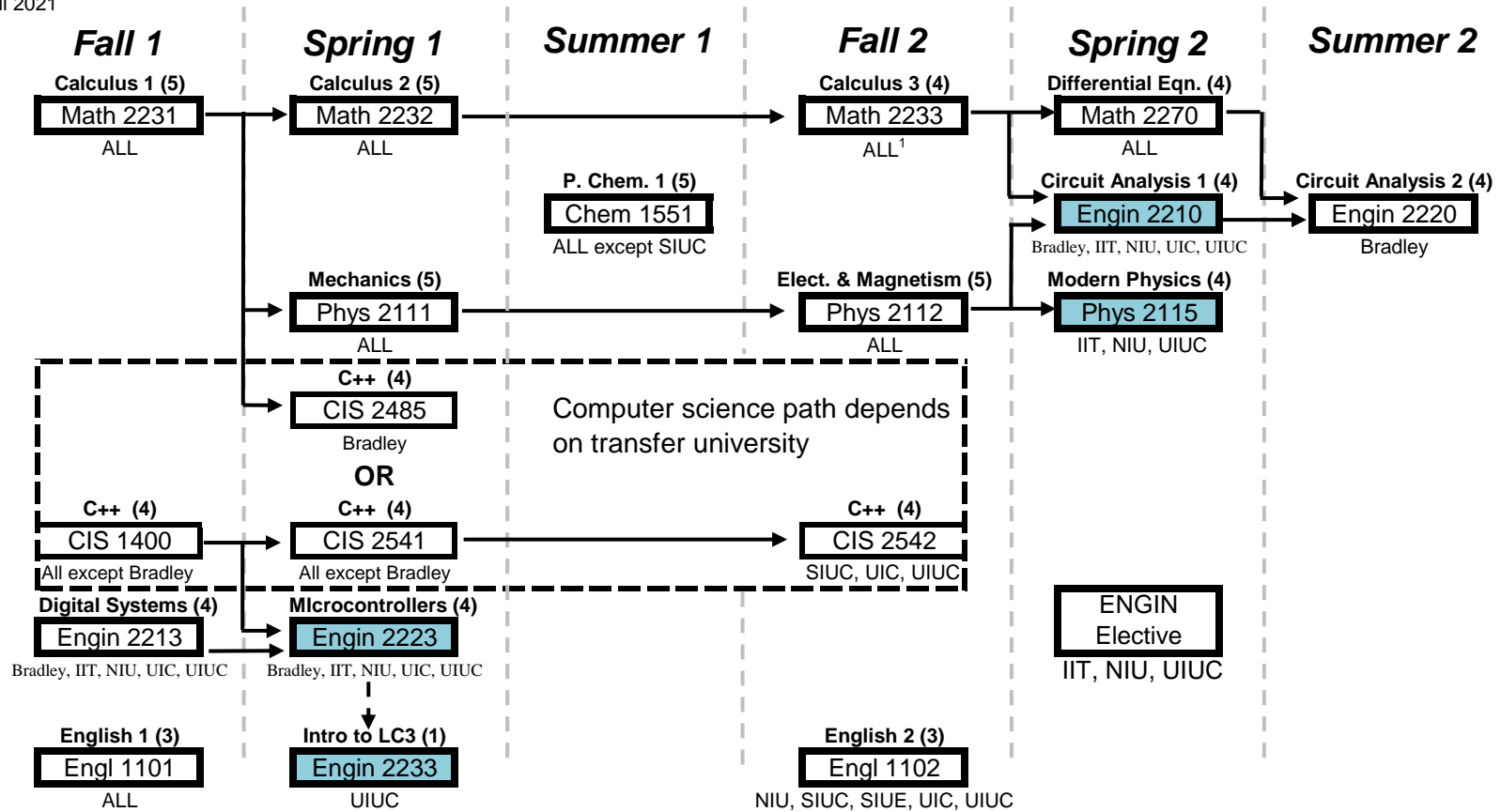


# College of Dupage Electrical Engineering

Updated Fall 2021



Electrical Engineering is offered at Bradley, IIT, NIU, SIUC, SIUE, UIC, and UIUC in Illinois.  
 Take the courses that are part of the Bachelor of Science Degree for the University you are interested in attending.  
 Courses in the same column should be taken together and will be scheduled to minimize conflicts.  
 Take additional Social Science and Humanity courses if necessary to make a full load each semester.  
 1 - Math 2235 is taken at the end of Math 2233 to count as Calculus 3 at UIUC  
 ENGIN elective - 2201 or 2205 for IIT. 2201 for UIUC. 2207 or both 2201/2202 for NIU

**KEY to GUIDE**

Course Name → prerequisite (must be taken previously)  
 COD # → Universities needing course → corequisite (can be taken after or together)

Offered fall and spring

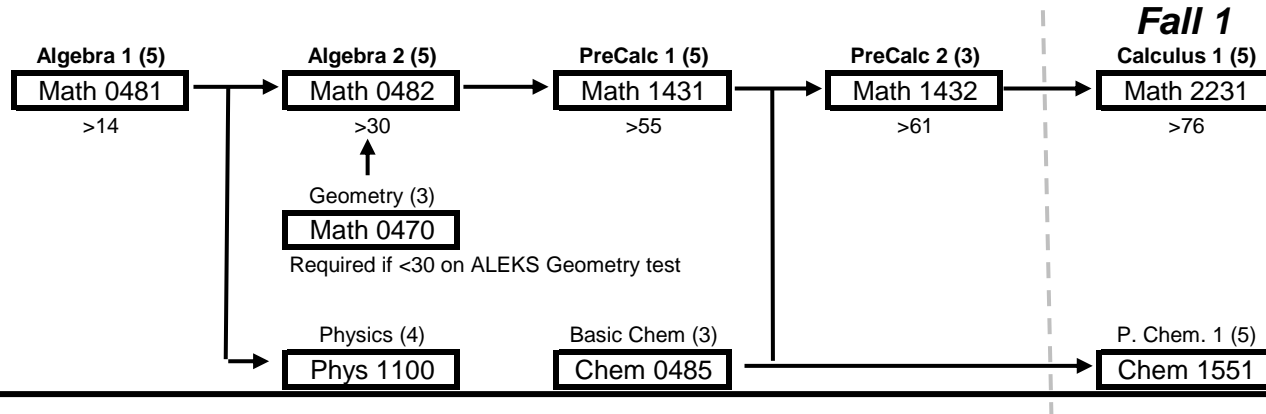
Offered spring only

For more information, contact an Engineering Professor.

CODengineering@cod.edu

## Preparatory Sequences

Math placement scores (ALEKS) needed for enrollment included below course. Physics 1100 is recommend for those without high school physics. Chemistry 0485 is required for those without high school chemistry.



## Associate in Engineering Science Graduation Checklist

45 required credits

	Course Number	Credits	
English	1101	3	
	1102	3	
Math	2231	5	
	2232	5	
	2233	4	
	2270	4	
Chemistry	1551	5	
Physics	2111	5	
	2112	5	
CIS	2485/2541	3	
SS / HUM	1 required	3	
		45	

Additional 23 credits from

	Course Number	Credits	
Engineering	2201	3	
	2202	3	
	2203	3	
	2205	3	
	2207	3	
	2210	4	
	2213	4	
	2220	4	
	2223	4	
Chem	1552	5	
Physics	2115	4	
SS / HUM	Up to 5 more	3	
		3	
		3	
		3	
		3	
		≥23	

## Social Science and Humanity guide

The general education requirements for the Bachelor of Science degree vary throughout the state of Illinois.

Check the Social Science and Humanity guide for details on a specific university requirements.

[http://www.cod.edu/programs/engineering/pdf/humanities\\_and\\_social\\_sciences\\_transfer\\_guide.pdf](http://www.cod.edu/programs/engineering/pdf/humanities_and_social_sciences_transfer_guide.pdf)

Up to 6 Humanity and Social Science courses total can count toward the AES degree.

## Transfer Equivalency for Electrical Engineering

This course only shows course equivalencies that are applicable to the Bachelor of Science in Electrical Engineering curriculum.

COD course		Bradley	IIT	NIU	SIUC	SIUE	UIC	UIUC
MATH	2231	MTH 121	MATH 151	MATH 229	MATH 150	MATH 150	MATH 180	MATH 220
	2232	MTH 122	MATH 152	MATH 230	MATH 250	MATH 152	MATH 181	MATH 231
	2233	MTH 223	MATH 251	MATH 232	MATH 251	MATH 250	MATH 210	MATH 241 <sup>#</sup>
	2235	-	-	-	-	-	-	
	2270	MTH 224	MATH 252	MATH 336	MATH 305	MATH 305	MATH 220	MATH 284
PHYSI	2111	PHY 110	PHYS 123	PHYS 253	PHYS 255A/205A	PHYS 151/151L	PHYS 141	PHYS 211
	2112	PHY 201	PHYS 221	PHYS 273	PHYS 205B/255B	PHYS 152/152L	PHYS 142	PHYS 212
	2115	-	PHYS 224	PHYS 283/284	-	-	-	PHYS 213/214
CIS	2485	ECE 103	-	-	ECE 222	CS 145	-	-
	2541	-	CS 115/116	CSCI 240	CS 202	CS 145	CS 107	CS 225 <sup>TE</sup>
	2542	-	-	-		-		
ENGIN	2201	-	MMAE 200 <sup>%</sup>	MEE 210	-	-	-	TAM 211 <sup>TE</sup>
	2202	-	-	MEE 211	-	-	-	TAM 212 <sup>TE</sup>
	2203	-	-	-	-	-	-	TAM 251 <sup>TE</sup>
	2205	-	MMAE 320 <sup>%</sup>	-	-	-	-	-
	2207	-	-	ISYE 220	-	-	-	-
	2210	ECE 100/101	ECE 211	ELE 210/210U	-	-	ECE 210	ECE 110
	2213	ECE 102	ECE 218	ELE 250/250U	-	-	ECE 265	needed for ECE 120
	2220	ECE 240	-	-	-	-	-	-
	2223	ECE 205	ECE 242	ELE 356	-	-	ECE 266	ECE 120
	2233	-	-	-	-	-	-	
CHEMI	1551	CHM 110/111	CHEM 124	CHEM 210/212	-	CHEM 121A/125A	CHEM 122/123	CHEM 102/103
	1552	-	CHEM 125	-	-	-	-	-

# - Both MATH 2233 and 2235 are required for MATH 241 credit at UIUC.

Both CIS 2541 and CIS 2542 are required for CS credit at UIC and UIUC.

MEE 210 and MEE 211 can count as the combined course MEE 209 at NIU.

% - IIT requires either ENGIN 2201 or 2205

TE - Take up to 2 total courses from the technical electives (CIS 2542, ENGIN 2201, ENGIN 2202, ENGIN 2205) at UIUC.

ENGIN 2213, 2223, and 2233 are required to get credit for ECE 120 at UIUC.