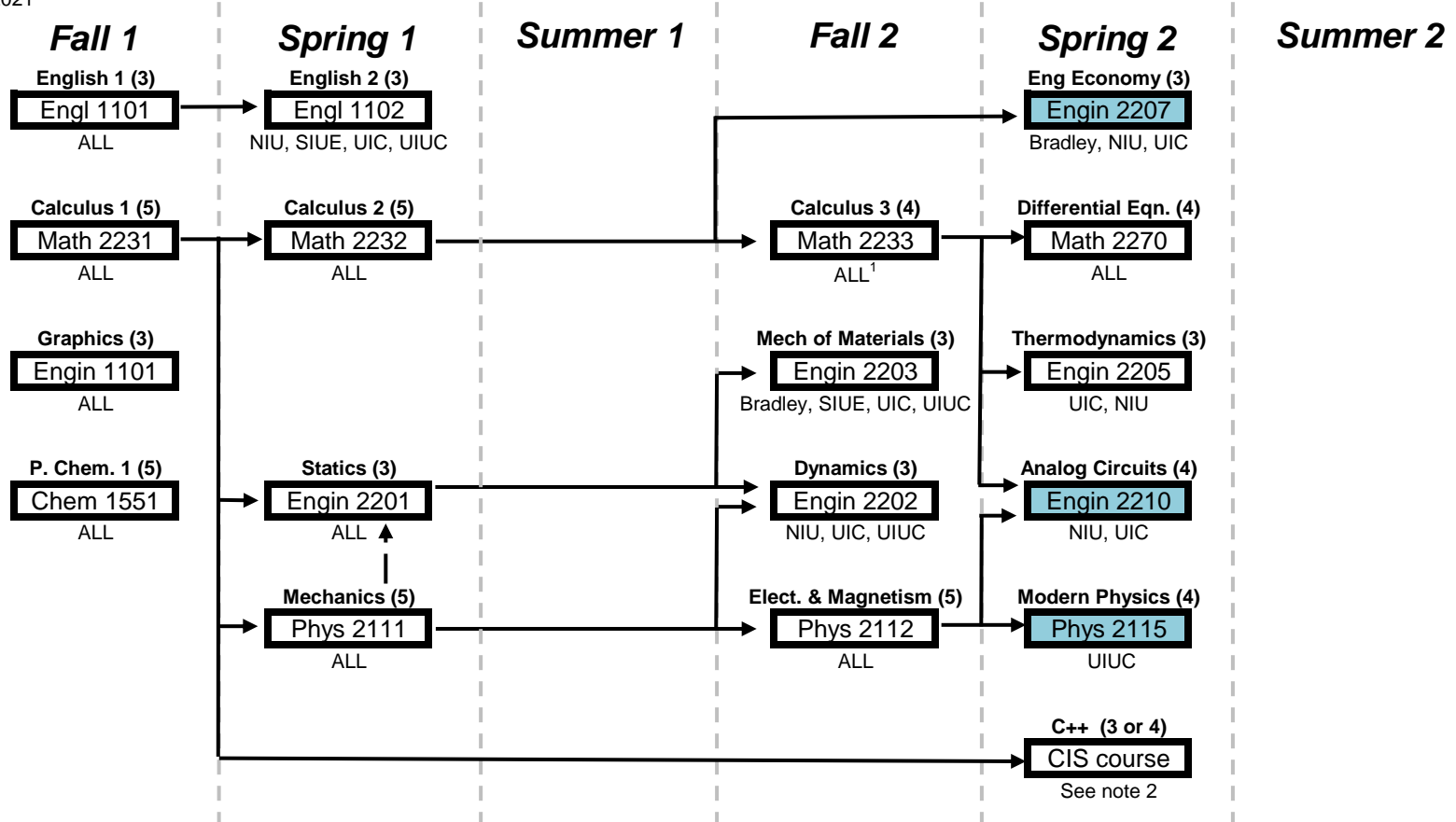


College of Dupage Industrial Engineering

Updated Fall 2021



Industrial Engineering is offered at Bradley, NIU, SIUE, UIC, and UIUC in Illinois.

Take the courses that are part of the Bachelor of Science Degree for the University you are interested in attending.

Courses in the same column should be taken together and will be scheduled to minimize conflicts.

Take additional Social Science and Humanity courses if necessary to make a full load each semester.

1 - Math 2235 is taken at the end of Math 2233 to count as Calculus 3 at UIUC

2 - UIUC want CIS 2485. NIU wants CIS 1400 and CIS 2541. SIUE will accept either sequence.

KEY to GUIDE

Course Name → prerequisite (must be taken previously)
COD # → corequisite (can be taken after or together)
 Universities needing course

Offered fall and spring

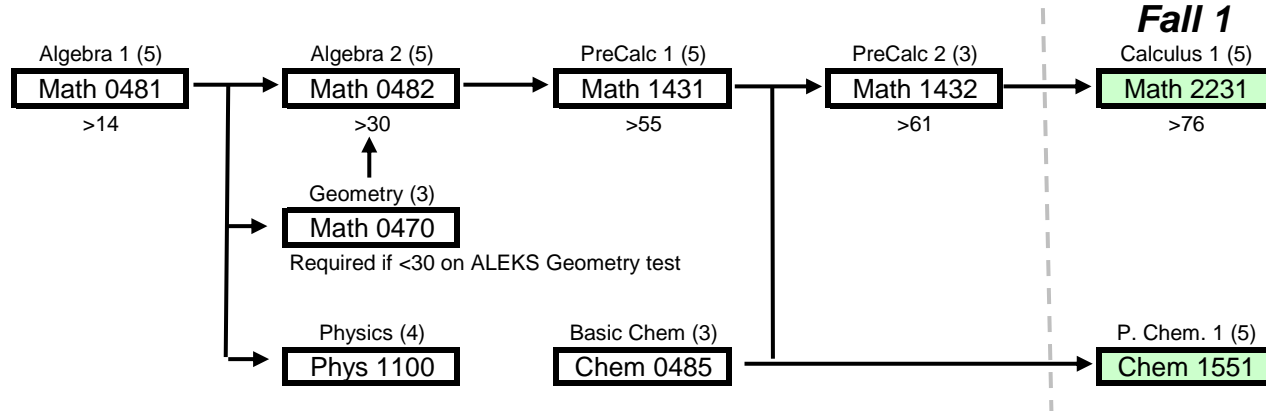
Offered spring only

For more information, contact an Engineering Professor.

CODengineering@cod.edu

Preparatory Sequences

Math placement scores (ALEKS) needed for enrollment included below course. Physics 1100 is recommend for those without high school physics. Chemistry 0485 is required for those without high school chemistry.



Associate in Engineering Science Graduation Checklist

45 required credits

	Course Number	Credits	
English	1101	3	
	1102	3	
Math	2231	5	
	2232	5	
	2233	4	
	2270	4	
Chemistry	1551	5	
Physics	2111	5	
	2112	5	
CIS	2485/2541	3	
SS / HUM	1 required	3	
			45

Additional 23 credits from

	Course Number	Credits	
Engineering	1101	3	
	2201	3	
	2202	3	
	2203	3	
	2205	3	
	2207	3	
	2210	4	
Physics	2115	4	
SS / HUM	Up to 5 more	3	
		3	
		3	
		3	
		3	
			≥ 23

Social Science and Humanity guide

The general education requirements for the Bachelor of Science degree vary throughout the state of Illinois.

Check the Social Science and Humanity guide for details on a specific university requirements.

http://www.cod.edu/programs/engineering/pdf/humanities_and_social_sciences_transfer_guide.pdf

Only up to 6 Humanity and Social Science courses total can count toward the AES degree.

Transfer Equivalency for Industrial Engineering

This course only shows course equivalencies that are applicable to the Bachelor of Science in Industrial Engineering curriculum.

COD course	Bradley	NIU	SIUE	UIC	UIUC	
MATH	2231	MTH 121	MATH 229	MATH 150	MATH 180	MATH 220
	2232	MTH 122	MATH 230	MATH 152	MATH 181	MATH 231
	2233	MTH 223	MATH 232	MATH 250	MATH 210	MATH 241 [#]
	2235	-	-	-	-	
	2270	MTH 224	MATH 336	MATH 305	MATH 220	MATH 284
PHYSI	2111	PHY 110	PHYS 253	PHYS 151/151L	PHYS 141	PHYS 211
	2112	PHY 201	PHYS 273	PHYS 152/152L	PHYS 142	PHYS 212
	2115	-	-	-	-	PHYS 213/214
CIS	2485	-	-	CS 145	-	CS 101
	2541	-	CSCI 240	CS 145	-	-
ENGIN	1101	ME102	MEE 270	CE 204	ME 250	SE 101
	2201	CE 150	MEE 210 ^{\$}	CE 240	CME 201	TAM 211
	2202	-	MEE 211 ^{\$}	-	ME 210	TAM 212
	2203	CE 270	-	CE 242	CME 203	TAM 251
	2205	-	MEE 350	-	ME 205	-
	2207	IME 301	ISYE 220	-	IE 201	-
	2210	-	ELE 210/210U	-	ECE 210	-
CHEMI	1551	CHM 110/111	CHEM 210/212	CHEM 121A/125A	CHEM 122/123	CHEM 102/103
	1552	-	-	-	-	-

- Both MATH 2233 and 2235 are required for MATH 241 credit at UIUC.

\$ - At NIU, MEE 209 is a combined Statics and Dynamics. MEE 210 and 211 are the more in-depth versions taken separately.